



CONTROL VALVES

HVAC Control Valves | Butterfly Valves | Industrial Control Valves |

Electric Linear Actuator | Quarter Return Actuator | Pneumatic Linear Actuator



HVAC CONTROL VALVES

BRONZE | CONTROL VALVES PN16



MC25

BR 216 / 316Z
DN15
PN16
kvs-value : 0.16 - 4 m³/h
Zone valve



MC55

BR 216 / 316RA
DN15 - DN50
PN16
kvs-value : 0.63 - 40 m³/h



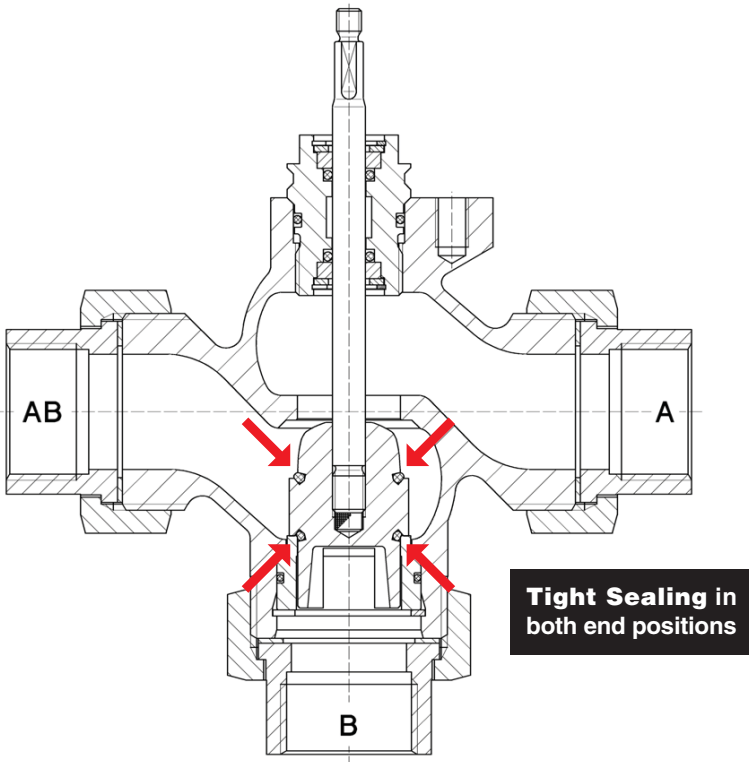
MC100

BR 216 / 316RA
DN15 - DN50
PN16
kvs-value : 0.63 - 40 m³/h



MC161

BR 216 / 316RA
DN32 - DN50
PN16
kvs-value : 12.5 - 40 m³/h



Tight Sealing in both end positions

HVAC CONTROL VALVES

BRONZE | DRINKING WATER CONTROL VALVES PN16



MC100

BR 216 / 316RA
DN15 - DN50
PN16
kvs-value : 0,63 - 40 m3/h



MC161

BR 216 / 316RA
DN32 - DN50
PN16
kvs-value : 12,5 - 40 m3/h



Valves with certified safety

HORA control valves with DVGW test mark offer:

safety and hygiene in drinking watersystems, suitable for drinking water by a special design and tailor made manufacturing method and meet the latest German Drinking Water Ordinance (TrinkwV 2001).

HVAC CONTROL VALVES

CAST IRON | CONTROL VALVES PN16

**MC55**

BR 206 / 216GF
BR 306 / 316GF
DN15 - DN50
PN6 / 16
kvs-value : 0.63 - 40 m3/h

**MC100**

BR 206 / 216GF
BR 306 / 316GF
DN15 - DN50
PN6 / 16
kvs-value : 0.63 - 63 m3/h

**MC160**

BR 206 / 216GF
BR 306 / 316GF
DN40 - DN100
PN6 / 16
kvs-value : 20 - 160 m3/h

**MC250 / MC500**

BR 206 / 216GF
BR 306 / 316GF
DN65 - DN150
PN6 / 16
kvs-value : 50 - 315 m3/h

**MC1000**

BR 206 / 216GF
BR 306 / 316GF
DN125 - DN150
PN16
kvs-value : 250 - 315 m3/h

BUTTERFLY VALVE

CONTROL BUTTERFLY VALVES



M125(Y) - M180

BR DR16Z
DN25 - 200
PN6 / 10 / 16
kvs-value : 30 - 4095 m³/h



OA6 - AS50

BR DR16ZFA / BR DR16ZFR
DN50 - DN400
PN16
kvs-value : 95 - 16350 m³/h



M125 - M150

BR DR6/16
BR DRP6/16
DN25 - DN200
PN6 / 16
kvs-value : 12 - 2400 m³/h



Canary Wharf, London - fitted with HORA control valves up to DN300 rated at 40 bar

INDUSTRIAL CONTROL VALVE

CONTROL VALVES PN16 / 25 / 40



MC103

BR 216 / 225 / 240S / 240E
BR 316 / 325 / 340S / 340E
DN15 - 40
PN16 / 25 / 40
kvs-value : 0.16 - 25 m3/h



MC163

BR 216 / 225 / 240S / 240E
BR 316 / 325 / 340S / 340E
DN15 - 65
PN16 / 25 / 40
kvs-value : 0.16 - 63 m3/h



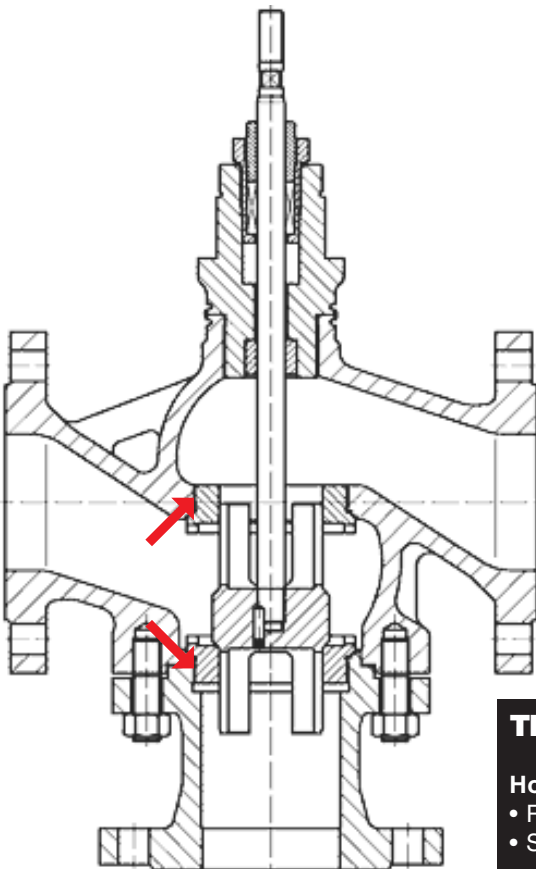
MC253 / MC503

BR 216 / 225 / 240S / 240E
BR 316 / 325 / 340S / 340E
DN15 - 150
PN16 / 25 / 40
kvs-value : 0.16 - 400 m3/h



MC403

BR 216 / 225 / 240S / 240E
BR 316 / 325 / 340S / 340E
DN15 - 150
PN16 / 25 / 40
kvs-value : 0.16 - 400 m3/h



Three way valve with screwed seats

Housing seat and nozzle seat screwed

- Reduced kvs- values
- Seat changeable in case of higher wearout

INDUSTRIAL CONTROL VALVE



MC1003 / MC1503

BR 216 / 225 / 240S / 240E
BR 316 / 325 / 340S / 340E
DN65 - 300
PN16 / 25 / 40
kvs-value : 31.5 - 1250 m³/h



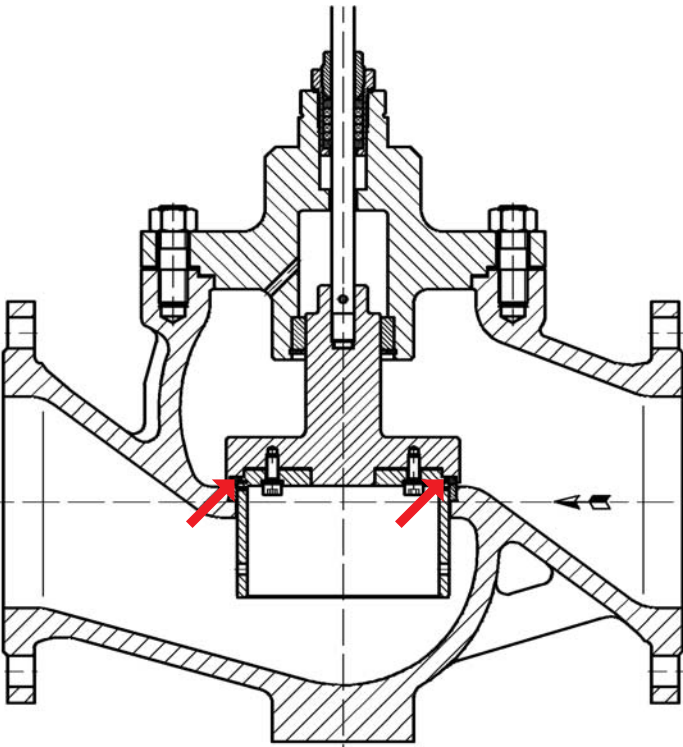
M300(Y)

BR 216 / 225 / 240S / 240E
BR 316 / 325 / 340S / 340E
DN125 - 300
PN16 / 25 / 40
kvs-value : 125 - 1600 m³/h



PN-N160 - PA2160

BR 216 / 225 / 240S / 240E
BR 316 / 325 / 340S / 340E
DN15 - 600
PN16 / 25 / 40
kvs-value : 0.16 - 1250 m³/h



Perforated plug with soft sealing

Plug seat with PTFE soft sealing
EN1349 seat leakage VI G1 (tight sealing)

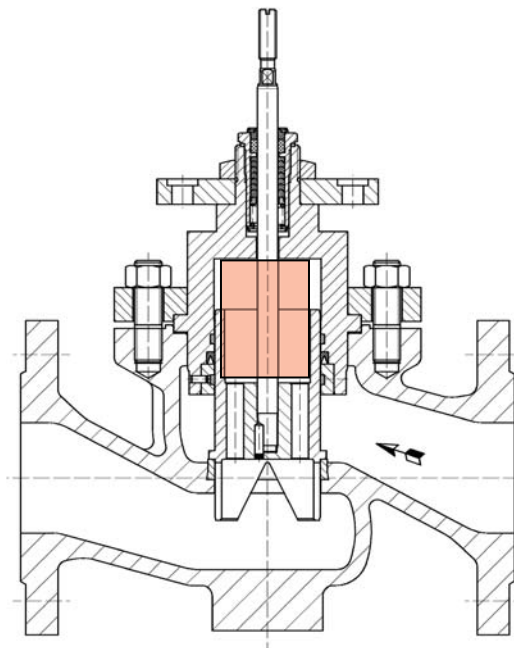
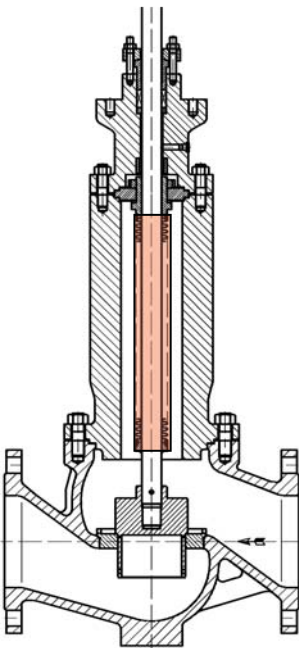
INDUSTRIAL CONTROL VALVE

CONTROL VALVES FOR SPECIAL APPLICATIONS



BR240S (1313-05)

APPLICATION : Facilities for natural gas, oil, petrochemical
 SIZES : DN15 - DN300 / ANSI 1" - 6"
 PRESSURE : > PN40 (ANSI version up to CLASS 1500)
 TEMPERATURE : 0 - 350°C
 MATERIAL : Cast Steel



Stem sealing with bellows

Stainless steel bellows designed for min. 30,000 load changes

- used in case of hazard medium
- stem sealing for thermic oil application
- stem sealing for high or low temperature application (-40/+350°C)

Balanced plug

Reduced actuating thrust

≧ 250 °C with Turcon Variseal ring

≧ 250 °C with 1.4923 rings

- to achieve higher close off pressure
- smaller actuator can be selected

ELECTRIC LINEAR ACTUATOR

MC SERIES



MC15

Actuating Trust : 0.15 kN
Actuating Time : 15 s/mm
Stroke : 9 mm
Enclosure Protection : IP40



MC55

Actuating Trust : 0.6 kN
Actuating Time : 9 • 5 s/mm
Stroke : max. 20 mm
Enclosure Protection : IP54 / IP30
Accessories : 115 VAC



MC100

Actuating Trust : 1.0 kN
Actuating Time : 12 • 9 • 4 • 1.9 s/mm
Stroke : max. 20 mm
Enclosure Protection : IP54 / IP65
Accessories : 115 VAC



MC103

Actuating Trust : 1.0 kN
Actuating Time : 12 • 9 • 4 • 1.9 s/mm
Stroke : max. 20 mm
Enclosure Protection : IP54 / IP65
Accessories : 115 VAC



MC160 / MC163

Actuating Trust : 1.6 kN
Actuating Time : 6 • 4 s/mm
Stroke : max. 30 mm
Enclosure Protection : IP54 / IP65
Accessories : 115 VAC



MC250 / MC253

Actuating Trust : 2.5 kN
Actuating Time : 5 • 2.5 s/mm
Stroke : max. 60 mm
Enclosure Protection : IP54 / IP65
Accessories : 115 VAC



MC403

Actuating Trust : 4.0 kN
Actuating Time : 0.6 • 0.4 s/mm
Stroke : max. 60 mm
Enclosure Protection : IP54 / IP65
Accessories : 115 VAC



MC500 / MC503

Actuating Trust : 5.0 kN
Actuating Time : 5 • 2.5 s/mm
Stroke : max. 60 mm
Enclosure Protection : IP54 / IP65
Accessories : 115 VAC



MC1000

Actuating Trust : 10.0 kN
Actuating Time : 1 s/mm
Stroke : max. 60 mm
Enclosure Protection : IP54 / IP65
Accessories : 115 VAC



MC1003

Actuating Trust : 10.0 kN
Actuating Time : 1 s/mm
Stroke : max. 80 mm
Enclosure Protection : IP54 / IP65
Accessories : 115 VAC



MC1503

Actuating Trust : 15.0 kN
Actuating Time : 2 s/mm
Stroke : max. 80 mm
Enclosure Protection : IP54 / IP65
Accessories : 115 VAC



M300(Y)-20kN

Actuating Trust : 20.0 kN
Actuating Time : 2.4 • 1.2 s/mm
Stroke : max. 90 mm
Enclosure Protection : IP65
Accessories : Potentiometer

ELECTRIC LINEAR ACTUATOR

MC SERIES



M300(Y)-25kN

Actuating Thrust : 25.0 kN
 Actuating Time : 2.4 • 1.2 s/mm
 Stroke : max. 90 mm
 Enclosure Protection : IP65
 Accessories : Potentiometer

MC SERIES with FAIL-SAFE FUNCTION



MC103SE

Actuating Thrust : 1.0 kN
 Actuating Time : 4 • 6 s/mm
 Fail-Safe Time : 0.2 s/mm
 Stroke : max. : 20 mm
 Enclosure Protection : IP65



New failsafe model MC103-SE

New SE actuator:

- actuating thrust 1 kN
- based on the model HORA MC163
- uses of a special SE-cartridge instead of the common spindlenut
- failsafe function, based on the combination of a mechanical spring and a patented hydraulic design. The hydraulic is used to lock the unit as well as to unlock it in case of power failure and to dampen the movement of the actuator in failsafe mode.

It became an immediately success just after its launch !

Spirax Sarco Ltd. UK, supplier of steam valves, now purchases several thousands units per year. They call it EL7200A-SE series.

ELECTRIC LINEAR ACTUATOR

MC SERIES FEATURES & BENEFITS

Flexible

1. In series suitable for 3-point signal as well as for continuous control signal.
2. Possibility to change the speed on site by the simple use of DIP-switches.
3. DC (if of type rectified AC) is possible as well as AC in the 24V version.

Note: The use of smoothed DC is possible with the MC103, MC253 and MC503.

For the MC1003, the thrust is reduce by 20%, for the MC1503 by 10% and for the

MC163 by 20%. The customer always has to note in the order the use of smoothed DC.

The use of the MC103-SE and the MC403 with smoothed DC is not possible.

4. Prepared for looping-in of an external binary signal, e.g. a frost protection sensor
5. Prepared for additional options (position switches...)

User Friendly

1. Automatic calibration. Automatic measurement of the path as well as consideration of the tolerances of the valve.
2. Easy mounting of the actuator to the valve.
3. Cover can be fitted in four positions offset by 90° respectively. No screws are used.
4. Terminal board in the removable cap, easy to connect.
5. Safe handwheel for manual use, completely free during automatic mode.
6. Parameters can be changed on site without using a Laptop

Rugged and Reliable

1. Rugged planetary gearbox with exceptional life time. Compared to conventional gearboxes, in a planetary gearbox the resulting mechanical forces are distributed to 3 times more teeth simultaneously.
2. Thanks to the use of large dimensioned gearwheels made of Poly-Oxy-Methylene and Polyamide (partly reinforced with carbonfibers), almost no wear occurs:
 - Strongly reduced surface pressure.
 - No wearing effects e.g. like pitting or micro welding occur.
 - The lubrication sticks much longer to the surface than to metal.
3. Limited forces in the gearbox by the use of a stepper motor with soft start on point.
4. Contactless path measuring system with Hall effect sensor. No use of potentiometers, as potentiometers normally wear out.

Intelligent

1. Error detection in continuous mode: E.g. if a particle blocks the valve cone, the actuator tries up to seven times to loosen the cone. If it is still blocked, the actuator stops in order to protect the valve and itself. A LED on the board blinks slowly to show the problem.
2. Line break detection in continuous mode. Travel in safe position. Error is shown by a fast blinking LED.
3. Autotest function. When the function Autotest/Autopause is switched on, the actuator moves every ten days automatically to the chosen end position in order to avoid that the cone of the valve sticks in a certain position and to keep the valve working reliable
4. Autopause. When the function Autotest/Autopause is switched on, the actuator counts the commands. In case there are more than 20 commands of different direction per minute, the actuator will stop working for 3 seconds.

Easy to Serve

1. Housing easy to open.
2. No screws are used in the actuators.
3. No use of Laptop/PC necessary to change parameters on site.
4. Most components can be changed easily on site.
5. Internal electrical connectors are different to each other. No possibility to mix up.
6. All insulated design.

ELECTRIC QUARTER TURN ACTUATOR

M SERIES



MC106Y

Norminal Torque : 6 Nm
Time for Rotation : 150 • 80 s/90°
Enclosure Protection : IP43
Accessories : 24VAC



M106

Norminal Torque : 6 Nm
Time for Rotation : 130 s/90°
Enclosure Protection : IP43
Accessories : 24VAC



M125

Norminal Torque : 25 Nm
Time for Rotation : 130 s/90°
Enclosure Protection : IP43
Accessories : 110VAC



M135

Norminal Torque : 35 • 15 Nm
Time for Rotation : 130 • 70 s/90°
Enclosure Protection : IP54 / IP65
Accessories : 24VAC



M140

Norminal Torque : 50 Nm
Time for Rotation : 10 s/90°
Enclosure Protection : IP54 / IP65
Accessories : 24VAC



M150

Norminal Torque : 50 • 40 Nm
Time for Rotation : 130 • 70 s/90°
Enclosure Protection : IP54 / IP65
Accessories : 24VAC



M180

Norminal Torque : 80 Nm
Time for Rotation : 130 • 70 s/90°
Enclosure Protection : IP54 / IP65
Accessories : 24VAC



OA6

Norminal Torque : 63 Nm
Time for Rotation : 6 s/90°
Enclosure Protection : IP67
Accessories : 3 x 400VAC



OA8

Norminal Torque : 63 Nm
Time for Rotation : 6 s/90°
Enclosure Protection : IP67
Accessories : 3 x 400VAC



OAP8

Norminal Torque : 80 Nm
Time for Rotation : 30 s/90°
Enclosure Protection : IP67
Accessories : 3 x 400VAC



AS18

Norminal Torque : 180 Nm
Time for Rotation : 6 s/90°
Enclosure Protection : IP67
Accessories : 3 x 400VAC



ASP25

Norminal Torque : 250 Nm
Time for Rotation : 30 / 60 s/90°
Enclosure Protection : IP67
Accessories : 3 x 400VAC

ELECTRIC QUARTER TURN ACTUATOR

M SERIES



AS50

Norminal Torque : 500 Nm
Time for Rotation : 30 / 60 s/90°
Enclosure Protection : IP67
Accessories : 3 x 400VAC



Electric Quarter Turn Actuators

M - Series

- Proven and reliable design.
- Interesting torque range of 6 Nm to 80 Nm.
- Exceptional cost-performance ratio.

PNEUMATICS LINEAR ACTUATOR

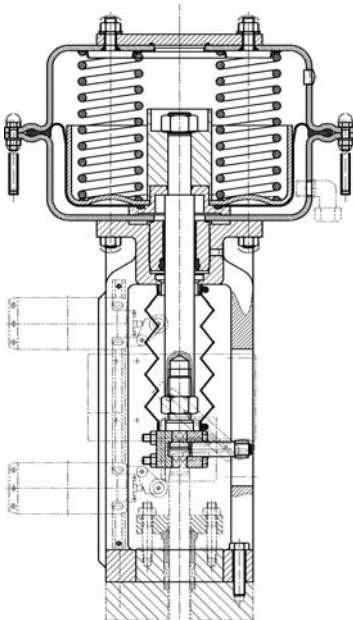
PA-N SERIES

SPECIFICATIONS

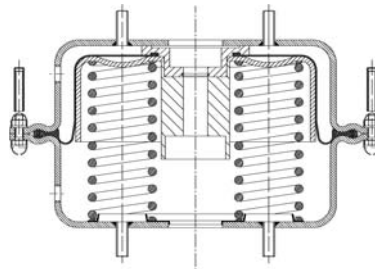
1. Active diaphragm size from 160 to 2.160 cm².
2. Exceptional rugged design
3. Suitable for temperatures down to - 40°C as well as for ATEX applications.
4. Direction of force changeable by turning the housing topside down.
5. Suitable to be used in aggressive atmospheres.
6. Mount made of pillars (PA-N160 & PA-300), and made of cast steel 1.1131 with Namur-Adaption, positioner directly adaptable.

INTERNAL DESIGN : PA-N540, 1080, 2160

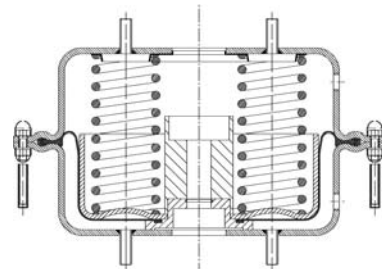
1. Rolling diaphragm, extremely reliable. No change of active size during movement.
2. Direction of force changeable by turning the housing topside down.
3. Plate with pre-formed centering for the springs.
4. Easy to upgrade to a large tandem arrangement or to a configuration with handwheel.



Spring Opens



Spring Closes



PNEUMATICS LINEAR ACTUATOR

PA-N SERIES



PA-N160

Diaphragm Size : 160 cm²
Stroke : 20 mm
Operating Pressure : max. 6 bar
Accessories : Limit Switch



PA-N280

Diaphragm Size : 280 cm²
Stroke : 20 / 30 mm
Accessories : Limit Switch



PA540

Diaphragm Size : 540 cm²
Stroke : 30 / 50 mm
Accessories : Limit Switch



PA1080

Diaphragm Size : 1080 cm²
Stroke : 60 / 80 mm
Accessories : Limit Switch



PA2160

Diaphragm Size : 2160 cm²
Stroke : 60 / 80 mm
Accessories : Limit Switch

General contact details

Slaney Direct Ltd
52 Brook Path, Slough,
Berkshire, SL1 5EW,
United Kingdom.
T : +44 (0) 1628 664774
F : +44 (0) 1628 664774
E : info@slaneydirect.co.uk

www.slaneydirect.co.uk