

## *In-/Output Modules with LON Interface*

In-/output modules are designed for status monitoring of floating contacts and control of actuators via relay contacts. By a corresponding software applications they are also suitable for control of lighting and blinds as well as inquiries of window contacts and fireflaps.

---

<b>I/O HS</b>	In-/output module LON	<b>P. 214</b>
<b>I/O 8AI, 4AO</b>	In-/output module LON	<b>P. 215</b>
<b>I/O</b>	In-/output module LON	<b>P. 216</b>

---

---

<b>DI UP</b>	In-/output module LON	<b>P. 217</b>
<b>ASM HS</b>	Connecting module for bus connection	<b>P. 218</b>

---

# » I/O HS – In-/Output Module with LON-Interface



I/O64 HS

## TYPES AVAILABLE

Type	Output
I/O04 HS	4DO, FTT10A
I/O10-0 HS	10DI, FTT10A
I/O42 HS 16A	4DI, 2DO, FTT10A
I/O44 HS	4DI, 4DO, FTT10A
I/O64 HS	6DI, 4DO, FTT10A

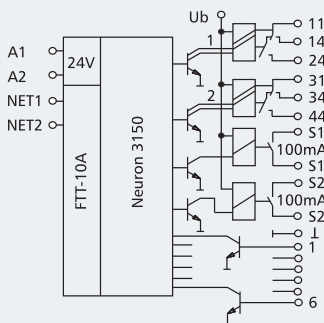
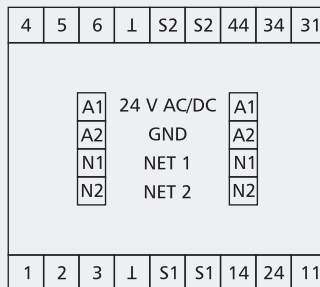
## TECHNICAL DATA

Ambient temperature	-5°C...+55°C
Power supply	20...28V AC/DC
Power consumption	I/O04: Max. 205mA (AC), 67mA (DC) I/O10-0: Max. 63mA (AC), 21mA (DC) I/O42: Max. 220mA (AC), 90mA (DC) I/O44: Max. 200mA (AC), 65mA (DC) I/O64: Max. 220mA (AC), 90mA (DC)
Enclosure	Material PA6 (enclosure), Material PC (enclosure)
Dimensions	I/O04, I/O42: 35x70x74mm I/O44, I/O10-0: 35x70x65mm I/O64: 50x70x74mm
Terminal	Pluggable screwing terminal Supply and bus: 1,5mm <sup>2</sup> In-/output: 2,5mm <sup>2</sup>
Mounting	Snap mounting on rail according to DIN EN 50022
Protection	IP20

## Application

I/O modules with digital inputs and outputs. For status detection of floating contacts and control of actuators by relay contacts. By means of the corresponding software application, the modules are also suitable for light and shutter control, inquiry of window contacts or fire flaps. Status indication of digital inputs and manual menu of relay outputs.

## Connection (example I/O64 HS)



## I/O HS

I/O HS	Art. No.	PG2	€
I/O04 HS	431217	182,04	€
I/O10-0 HS	431224	167,60	€
I/O42 HS 16A	431255	247,68	€
I/O44 HS	431231	173,38	€
I/O64 HS	431248	261,10	€

# In-/Output Module LON – I/O 8AI HS – I/O 4AO HS «

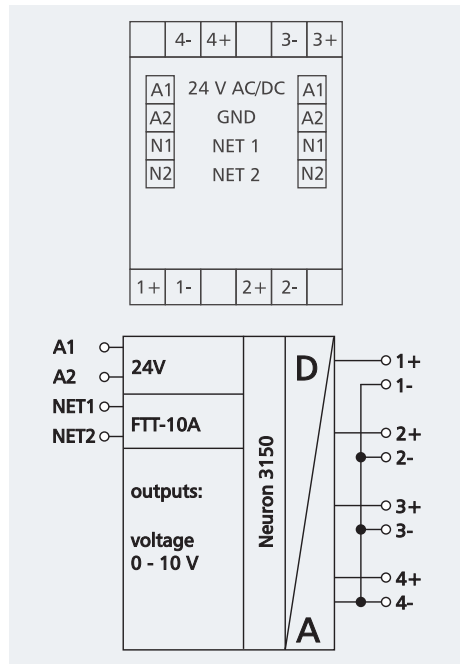


I/O 4AO HS

## Application

Input module I/O 8AI HS with 8 configurable temperature or 8 voltage inputs for detection of e.g. passive and active temperature sensors. Output module I/O 4AO HS with 4 analogue outputs as transducer for variables (e.g. ventilation flaps, valve Lüftungsklappen, setting of valve etc.)

## Connection (example I/O 4AO HS)



### TYPES AVAILABLE

Type	Output
I/O 8AI HS	8AI, FTT10A
I/O 4AO HS	4AO, FTT10A

### TECHNICAL DATA

Ambient temperature	-5°C...+55°C
Power supply	20...28V AC/DC
Power consumption	I/O 8AI: Max. 67mA (AC), 24mA (DC) I/O 4AO: Max. 90mA (AC), 32mA (DC)
Enclosure	Material PA6 (housing), Material PC (cover)
Dimensions	I/O 8AI: 50x68x65mm I/O 4AO: 35x70x65mm
Connection clamp	Pluggable screwing terminal Supply and bus: 1,5mm <sup>2</sup> Analogue in-/outputs: 2,5mm <sup>2</sup>
Mounting	Snap mounting on DIN rail accord. to DIN EN 50022
Protection	IP20

### I/O 8AI HS, I/O 4AO HS

Type	Art. No.	€	PG2
I/O 8AI HS	427104	277,61	
I/O 4AO HS	431262	193,81	

## » I/O – In-/Output Module with LON-Interface



I/O40

### TYPES AVAILABLE

Type	Output
I/O40	4DI, FTT10A
I/Oo4	4DO, FTT10A

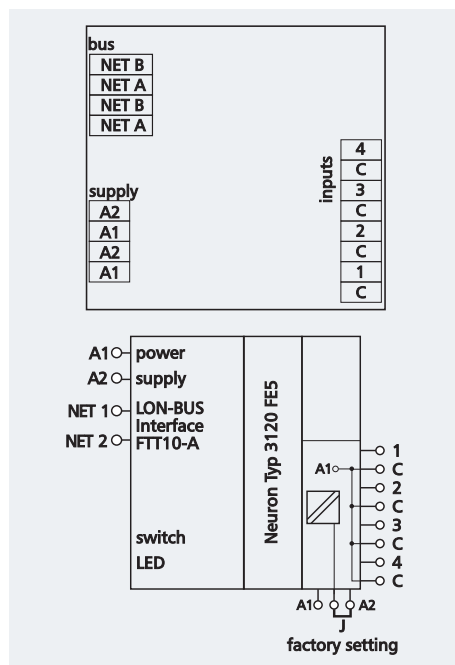
### TECHNICAL DATA

Ambient temperature	-5°C...+55°C
Power supply	20...28V AC/DC
Power consumption	I/O40: Max. 63mA (AC), 21mA (DC) I/Oo4: Max. 205mA (AC), 67mA (DC)
Enclosure	Material ASA (housing), Material PC (cover)
Dimensions	159x41x120mm
Mounting	On smooth ground
Terminal	Pluggable screwing terminal 1,5mm <sup>2</sup>
Protection	IP65

## Application

I/O modules with digital inputs and outputs. For status detection of floating contacts and control of actuators by relay contacts. By means of the corresponding software application, the modules are also suitable for light and shutter control, inquiry of window contacts or fire flaps. Status indication of digital inputs and manual menu of relay outputs.

## Connection (example I/O40)



## I/O

I/O	Type	Art. No.	PG2	€
I/O40		431194		170,49 €
I/Oo4		431187		202,27 €

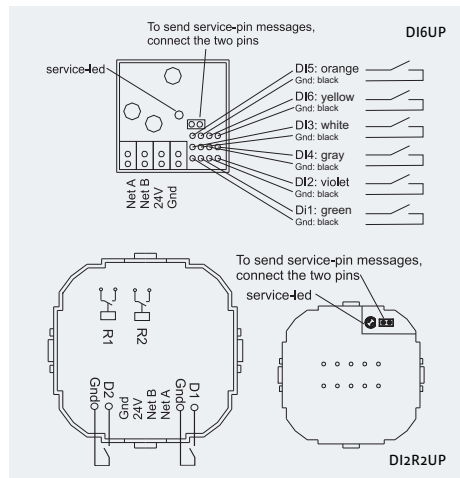
# In-/Output Module with LON-Interface – DI UP «



## Application

I/O-modules with digital inputs and outputs. For status detection of floating contacts and control of actuators by relay contacts. By means of the corresponding software application, the modules are also suitable for light and shutter control, inquiry of window contacts or fire flaps. Designed for installation in deep switch boxes behind conventional light-/shutter keys and standard blind covers.

## Connection



### TYPES AVAILABLE

Type	Output
DI6UP	6DI, FTT10A
DI2R2UP	2DI, 2DO, FTT10A

### TECHNICAL DATA

Ambient temperature	0...50°C
Power supply	24V= (±10%) or 24V~ (±10%)
Power consumption	DI6UP: Max. 25mA/24V=, 76mA/24V~ DI2R2UP: Max. 50mA/24V=, 50mA/24V~
Enclosure	Material PA
Terminal clamp	Terminal block, max. 1,0mm <sup>2</sup>
Mounting	Flush-mounting in deep DIN-box
Protection	IP20

DI UP		PG2
Type	Art. No.	€
DI6UP	181617	102,06 €
DI2R2UP	207041	116,64 €

# » ASM HS – Connecting Module for Bus Connection

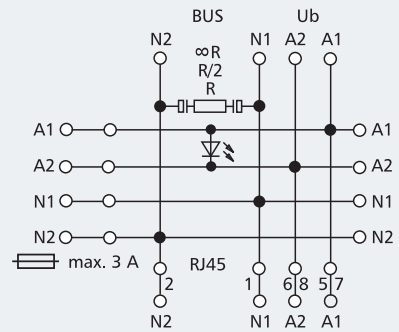
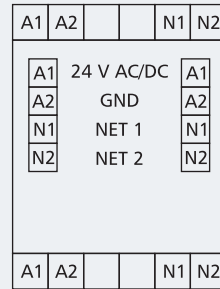


## Application

The connecting module is designed as an ancillary wiring product to lead the supply voltage and a two-wire bus to the /O-modules.



## Connection



### TECHNICAL DATA

Ambient temperature	-5°C...+55°C
Power supply	20...28V AC/DC
Enclosure	Material PA6 (housing), Material PC (cover)
Dimensions	35x70x65mm
Mounting	Snap mounting on DIN-rail according to DIN EN 50022
Terminal	Pluggable screwing terminal, 2,5mm <sup>2</sup>
Protection	IP20

### ASM HS

ASM HS	<b>PG2</b>
Type	<b>Art. No.</b>
ASM HS	431200 30,44 €